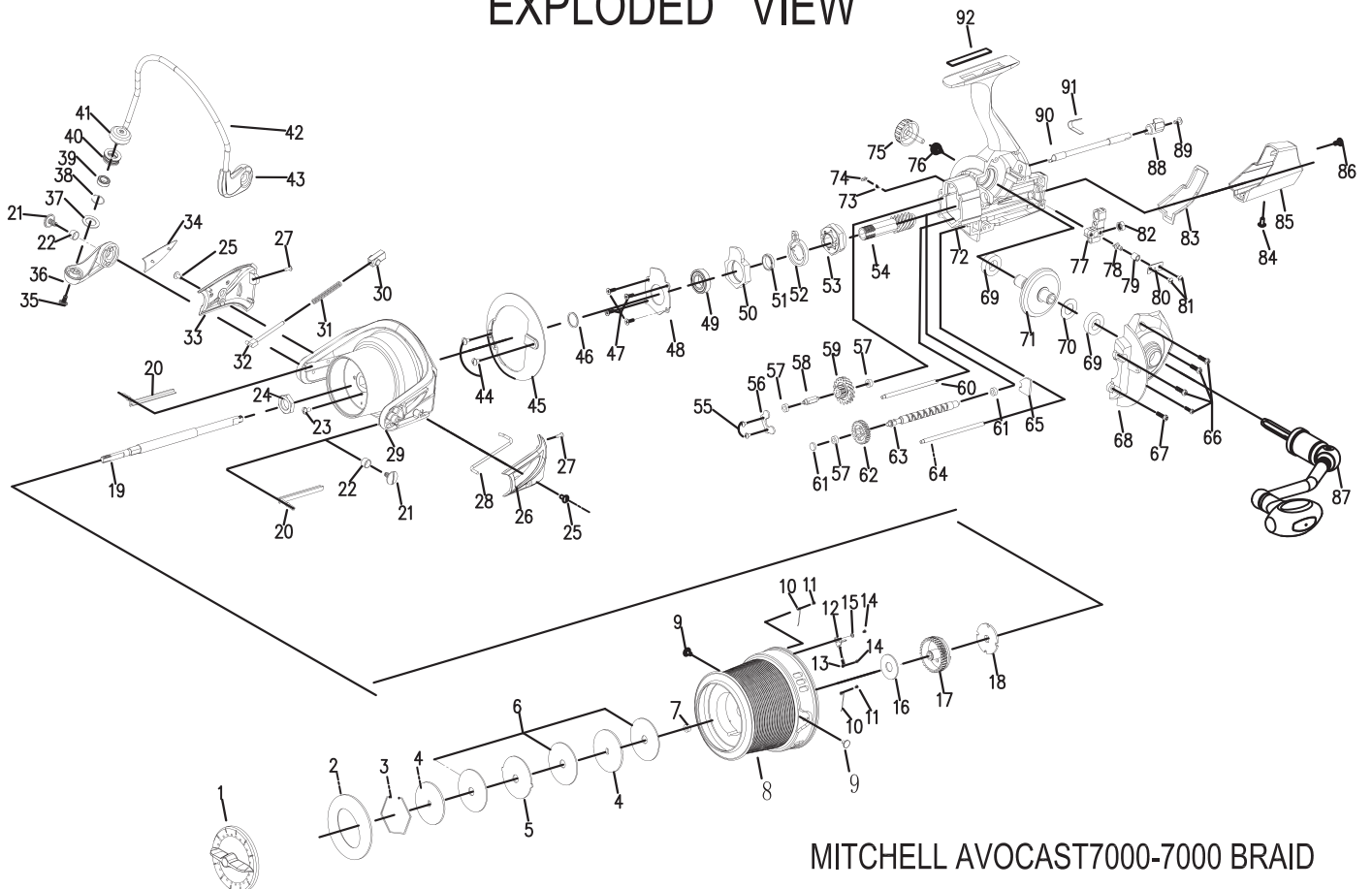


MODEL: MITCHELL AVOCAST 7000-7000BRAID

ITEM	DESCRIPTION	SAP#		ITEM	DESCRIPTION	SAP#		ITEM	DESCRIPTION	SAP#	
		AVOCAST 7000	AVOCAST 7000 BRAID			AVOCAST 7000	AVOCAST 7000 BRAID			AVOCAST 7000	AVOCAST 7000 BRAID
1	Drag Knob Assy	1294618	1294618	32	Rotor Trip Lever	1122176	1122176	63	Worm Shaft	1294654	1294654
2	Waterproof Ring	1122021	1122021	33	Bail Arm Side Cover	1294623	1294623	64	Guide Shaft	1294655	1294655
3	Spool clasp	1111425	1111425	34	Bail Holder Cover	1294624	1294624	65	Plate	1259627	1259627
4	Key Washer	1143840	1143840	35	Screw	1259601	1259601	66	Screw	12559633	12559633
5	Eared Washer	1143842	1143842	36	Bail Arm	1294625	1294625	67	Screw	1122144	1122144
6	washer	1259569	1259569	37	Washer	1259603	1259603	68	Body Cover	1294629	1294629
7	Bushing	1143844	1143844	38	C CLASP	1259604	1259604	69	Bearing	1111486	1111486
8	Spool	1294619	1294620	39	Bearing	1259605	1259605	70	Washer	1111500	1111500
9	Line hook	1259574	1259574	40	Line Roller	1294626	1294626	71	Drive Gear	1122182	1122182
10	Spring	1259575	1259575	41	Line Slider	1259653	1259653	72	Body	1294630	1294630
11	Screw	1259576	1259576	42	Bail	1294627	1294627	73	Spring	1259629	1259629
12	Click Plate	1259577	1259577	43	Bail Holder	1294628	1294628	74	Rivet	1259628	1259628
13	Spring	1259579	1259579	44	Screw	1125962	1125962	75	Handle Cover	1294631	1294631
14	Screw	1294638	1294638	45	Brake	1294613	1294613	76	Washer	1111494	1111494
15	Bushing	1294639	1294639	46	Washer	1259612	1259612	77	Slider	1259636	1259636
16	Washer	1122023	1122023	47	Screw	1122123	1122123	78	Guide Claw	1122192	1122192
17	Click Gear	1294640	1294640	48	Plate retainer	1259613	1259613	79	Bushing	1122193	1122193
18	Washer	1294641	1294641	49	Bearing	1259614	1259614	80	Slider Retainer Plate	1259635	1259635
19	Main Shaft	1294607	1294607	50	Bearing Bushing	1259615	1259615	81	Screw	1126277	1126277
20	Brush	1294643	1294643	51	Washer	1259616	1259616	82	Nut	1259637	1259637
21	Screw	1111479	1111479	52	Clutch	1259617	1259617	83	Waterproof Ring	1259638	1259638
22	Bail Arm Bushing	1102065	1102065	53	One Way Clutch Bearing	1259618	1259618	84	Screw	1259639	1259639
23	Screw	1119121	1119121	54	Pinion Gear	1294652	1294652	85	Rear Cover	1294632	1294632
24	Nut	1259586	1259586	55	Screw	1122148	1122148	86	Screw	1143861	1143861
25	Screw	1125962	1125962	56	Retainer Plate	1259620	1259620	87	Handle Assy	1294633	1294633
26	Bail Holder Cover	1294621	1294621	57	Bearing	1131801	1131801	88	Anti-reverse Button	1294634	1294634
27	Screw	1102139	1102139	58	Pin	1259621	1259621	89	Screw	1122151	1122151
28	Rotor Trip Lever	1294646	1294646	59	Gear	1259622	1259622	90	Anti-reverse Lever	1294660	1294660
29	Rotor	1294622	1294622	60	Guide Shaft	1294653	1294653	91	Spring	1259644	1259644
30	Holder	1122178	1122178	61	Bushing	1122132	1122132	92	Body Decoration Plate	1259670	1259670
31	Press spring	1259546	1259546	62	STEP gear	1259624	1259624				

EXPLODED VIEW



MITCHELL AVOCAST7000-7000 BRAID